

# WATER HEATER DHE TOUCH

## COMFORT INSTANTANEOUS WATER HEATER

The DHE offers a spacious, touch-sensitive color display and state-of-the-art hot water comfort with 4i technology, upgraded through numerous integrated features. The flow heater can be operated intuitively and is extremely comfortable to use. At the first click you can see the current consumption and costs. Just one more click and the ECO function is activated and you can select between a variety of comfort functions.

### MAIN FEATURES

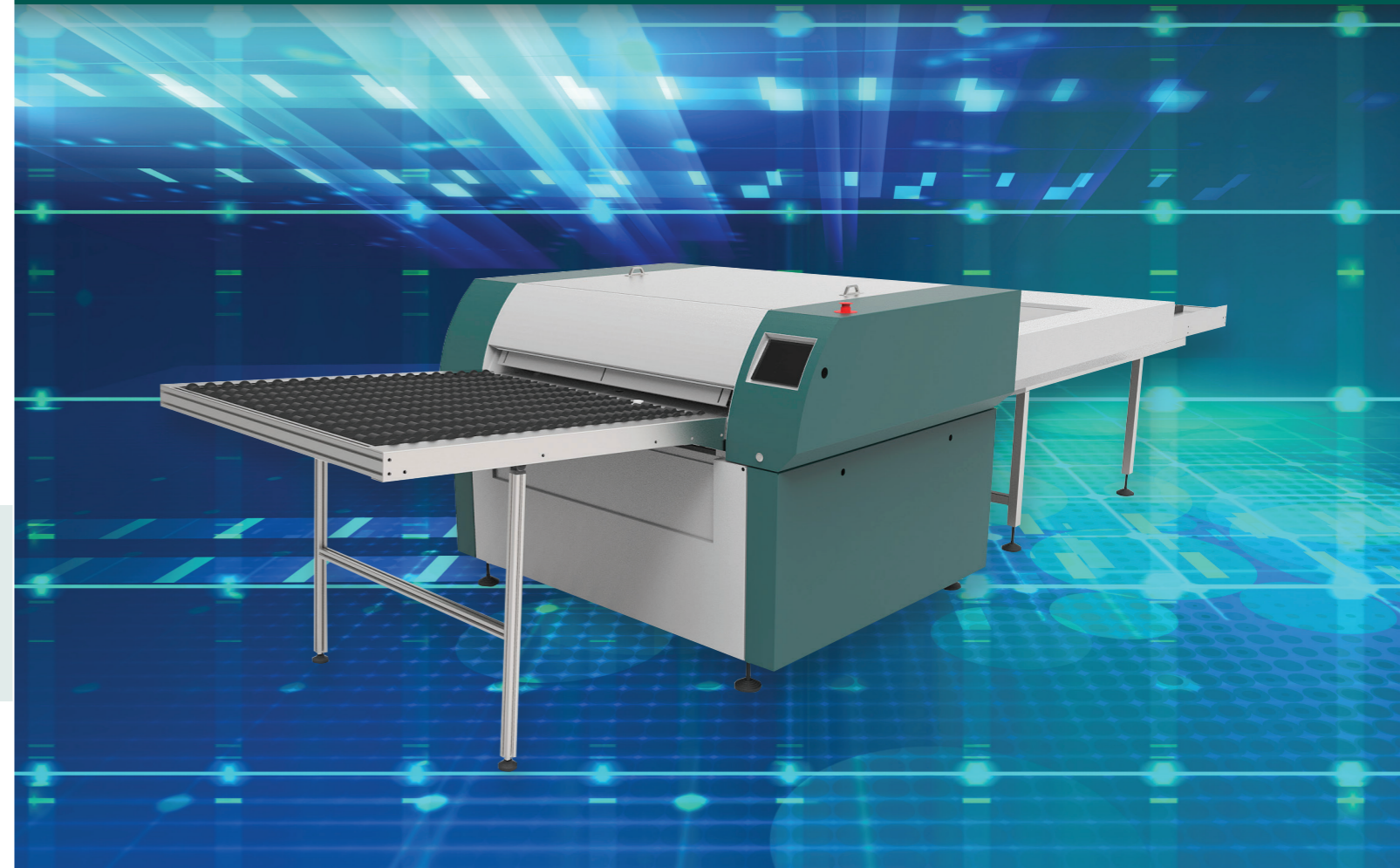
- 4i technology for maximum energy efficiency and precise water temperature
- Intuitive operation via touch display and additional touch wheel
- Graphical display of consumption and costs
- ECO mode for particularly energy-saving operation
- Individually programmable memory buttons
- Comprehensive comfort and safety functions
- Profi-Rapid and Profi Direct - the innovative installation and service concept
- Selectable power 18/21/24 kW in one device
- Rotatable device cap and control unit for increased ease of use under tables



Temp Range: 20-60 ° C



# DANTEX AQUA SYSTEM



# WATER SOFTENER TWIN 1 CK

## FULLY AUTOMATIC, VOLUME-CONTROLLED PENDULUM SOFTENING SYSTEM FOR THE PRODUCTION OF SOFTENED WATER FROM IRON AND MANGANESE-FREE DRINKING AND INDUSTRIAL WATER

The softening takes place after the ion exchange process.

### MAIN FEATURES

- Electronic control with color display and plain text operating displays and menu navigation
- Supported languages: German, English, French, Spanish, Italian, Polish, Turkish
- Systems up to type 1/50 are already filled
- Easy installation and commissioning
- 2 exchanger tanks made of GRP with PE inliner including distribution system
- Filling made of high-performance ion exchange resin on a gravel base
- Saline tank made of PE with lid, standpipe and brine valve with float, as well as sieve bottom for dry storage of regeneration salt
- Central control valve with adapter for second container
- Connecting pipeline between the central control valve and adapter



## INLINE SYSTEM FOR WATER WASH FLEXOGRAPHIC PLATES

Benefit from the inline system for water wash flexo plates introduced by the Dantex Group. **Enjoy faster, sharper and more durable print results.**

### AQUA 760/920/1100 FEATURES FOR YOUR BENEFIT:

- Processing time: 30 min. (900 mm x 1200 mm x 100 mm / min.)
- Fresh water or tank system for washing out flexographic printing plates
- Very easy handling and maintenance
- Chain drive system
- Adjustable surfactant dosage and water flow rate
- Double wash head with programmable speed
- User friendly interface
- Extended drying option



Australia and New Zealand +61 (3) 9535 9777



# MODULAR SYSTEM WITH CLEAR SOLUTIONS

DANTEX OFFERS THE AQUA 760/920/1100 AS FRESHWATER OR TANK SYSTEM WITH VARIOUS OPTIONS

Different conditions require different solutions. Our trained personal help you to find exactly the best Aquaflex system for your special needs.

SYSTEM:	FRESH WATER	TANK (without prewash)	TANK (with prewash)
Bag filter	—	✓	—
Ceramic filter	—	✓	✓
Flocculation	—	optional	optional
Water heater	✓	✓	✓
Water softener	✓	✓	✓

## CERAMIC FILTER

(FOR ALL TANK SYSTEMS)

## BAG FILTER

(FOR TANK SYSTEMS WITHOUT PREWASH)

This membrane filtration system is used to mechanically separate the finest, undissolved substances from the wash out water.

### CERAMIC MEMBRANE FILTRATION SYSTEM



#### HOW IT WORKS

- ➔ The membrane filtration system works on the principle of dynamic cross-flow filtration. The liquid that has to be filtered (feed) flows through a tubular filter membrane at high speed. Back pressure is generated on the outlet side of the filter membrane.
- ➔ Due to the pressure difference between the inside and outside of the filter membrane, water and dissolved components get to a small extent through the porous structure of the filter membrane into the outside of the filter module and form the filtrate. From there the filtrate flows off.
- ➔ Particles and large molecules together with the remaining water make the concentrate.

### FILTRATION FOR BLACK MASK AND POLYMER RESIDUE.



#### TECHNICAL SPECIFICATIONS: AQUA 760 MD    AQUA 920 MD    AQUA 1100 MD

**Plate size** (width x length):    762 mm x 635 mm    900 mm x 1200 mm    1067 mm x 1524 mm

#### Power (all 3 Aquas):

System:    8kW (400V 3ph + N + E @12 amps)

**Unit dimensions** (L x W x H) mm:    4189 x 1500 x 1125    4189 x 1630 x 1125    4532 x 1794 x 1267

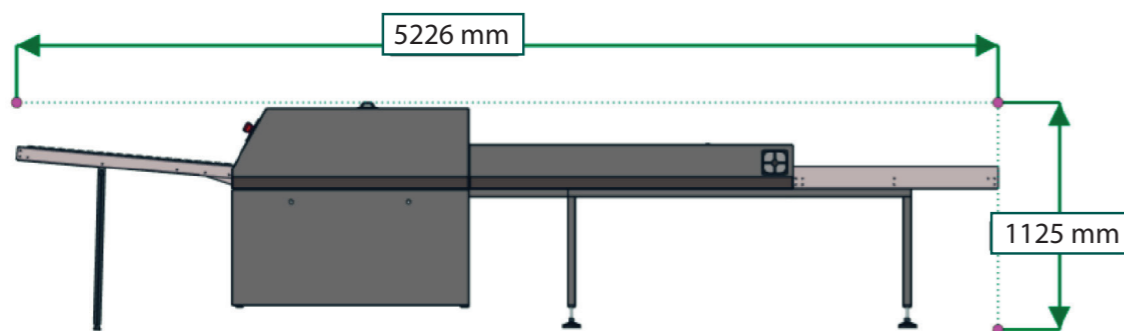
(Without drying tunnel an exposure unit with dry drawer is needed)

with extended drying:    5226 x 1500 x 1125    5226 x 1630 x 1125    —

with extended drying (short version):    4486 x 1500 x 1125    —    —

**Max. plate thickness:**    1.7 mm    1.7 mm    1.7 mm

#### AQUA 920 WITH EXTENDED DRYING:



## FLOCCULATION

(OPTIONAL FOR ALL TANK SYSTEMS)

The system works semi-automatically and is constructed for the treatment of smaller waste water quantities.

### COMPACT SYSTEM TO PURIFY WASTE WATER FROM WATER WASHABLE FLEXO PRINTING PLATES

#### HOW IT WORKS

##### 1st cleaning phase

After saturation the waste water is pumped into the reaction chamber. On the control panel the stirring process is switched on. This leads to the homogenization of the filled waste water.

##### 2nd cleaning phase

In the course of stirring, the corresponding quantity of POLYFLOCK 8682 is manually dosed. After the set time ends automatically, the stirring process is started. The sedimentation process begins.

##### 3rd cleaning phase

In this phase the water is separated from the polymer waste. After the end of sedimentation (approx. 10 Minutes), the PVC drain tap is opened and the entire content of the reaction part is discharged via a drainage container with filter bag. The trapped polymer residue in the filter bag is in thoroughly drained for approx. 30 minutes and can then be disposed of.

